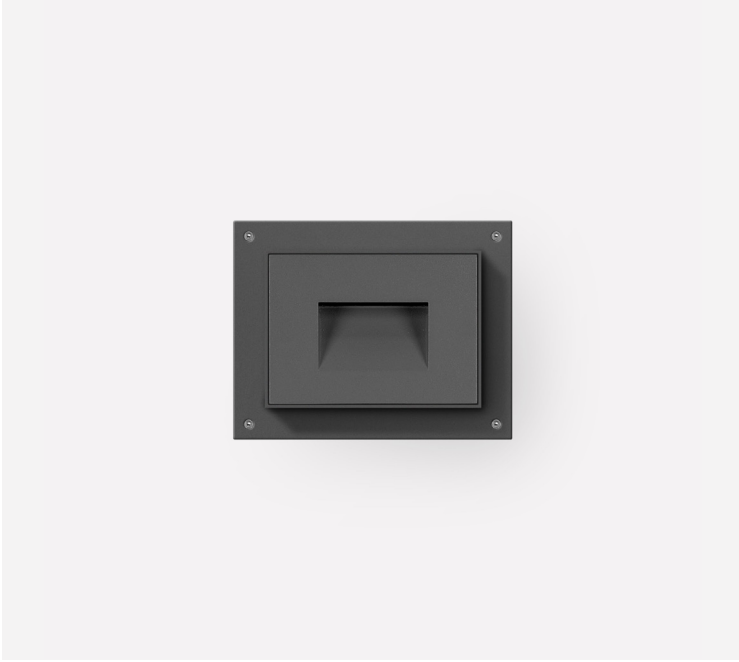


INSERT+ ZERO SM



Wall mount series. Fixtures consist of:

- Multi-step powder-coat painting process, optimized against UV rays and corrosion.
- Copper-free (<1%) precision die-cast aluminum housing and ring/faceplate.
- Frosted, tempered, silk-screened, flat glass diffuser.
- Custom molded, anti-aging gasket(s).
- Custom MCPCB utilized to maximize heat dissipation and promote long LED life.
- To be used with a 24 V low-voltage driver (ordered separately, consult factory for more information).

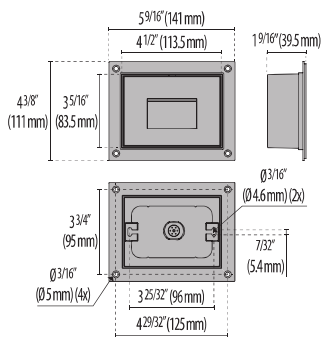
- The luminaire may be configured with numerous options and multiple standard finishes. Not all options are available in all configurations. Consult factory for more information about specification sheet details to build your light.
- Product meets Buy American Act (BAA) requirements within ARRA.
- 5-year warranty.



FINISHES

- AN-96 / Iron gray / Textured
- GR-94 / Aluminum metallic / Textured
- WH-87 / White / Textured
- BK-81 / Black / Textured
- RB-10 / Iron rust / Textured

Lumen Output	3K	4K
INSERT+ZERO SM	254	257



Scan here for
installation instructions

Order Guide – INSERT+0 SM



Order code example:

I+OSM						
SERIES	Wattage	CCT	Finish	Voltage	Controls	Accessories
I+OSM Insert+0 SM	5 5W* (max)	30K 3000K 40K 4000K	AM Aluminum Metallic* IG Iron Gray* IR Iron Rust BK Textured Black WH Textured White* CC Custom Color	24V 24V Low-voltage only		

STANDARD OPTION, SHORTER LEAD TIME, NO MOQ

80 CRI STANDARD - OTHER OPTIONS AVAILABLE